

Portable GFCI Devices

Outdoor Rated Rainproof Cord Sets and Attachments for Superior Personnel and Equipment Protection

Sleek, rugged and fully OSHA compliant, the ideal solution for job sites, temporary power applications and hard-to-reach areas.



Overview

- Rainproof, outdoor rated GFCI Module
- Automatic reset models automatically restore power to connected equipment when plugged in or after power interruption and are ideal for hard to access locations
- Manual reset models require manual actuation to restore power to connected equipment providing an extra level of safety
- GFCI housings for automatic reset devices are black and manual reset devices are yellow for easy identification
- Power indicator lamp goes OFF if GFCI trips, if power is interrupted or if the GFCI is unplugged
- Open-neutral protection immediately trips the GFCI if the neutral conductor on the line side is opened, eliminating the possibility that the load side of the GFCI will have a live hot leg
- Cord Set models available in a variety of cord lengths with custom lengths and configurations available as special order
- Fully compliant with NEC and OSHA regulations for construction sites
- UL listed; compliant with UL Standard 943 as a Class A GFCI power supply
- CSA Certified

Portable GFCI Devices

Manual Reset and Automatic Reset

Cord Sets and User Attachable Protection

- Common Applications**
- Vending Machines
 - Construction Sites
 - RV Parks
 - Marinas
 - Portable Generators

- Weather-resistant SJTW cables
- Equipped with Industrial Grade plugs and connectors to provide long service life in heavy-duty applications
- Polycarbonate, ultrasonically welded bodies provide long service life and excellent resistance to harsh weather

- Power Indicator lights go OFF if GFCI trips, power is interrupted or line cord is unplugged

- RTV injected at cord entrance and exit of the housings for better protection against moisture intrusion



CORD-SETS

USER-ATTACHABLES

COLOR-CODED:
Black = Automatic Reset
Yellow = Manual Reset

- Accepts 12/3 AWG through 18/3 AWG types SJ and ST cords

- Polycarbonate, ultrasonically welded bodies provide long service life and excellent resistance to harsh weather

- Terminal chambers are sealed with silicon and foam rubber gaskets for superior protection against moisture



Ordering Information

Cord sets are available in a great variety of configurations and cord lengths to suit almost any application and need whether wet or dry, indoor or out. Custom cord lengths and configurations are available as special orders.**

CATALOG NUMBER	DESCRIPTION	NEMA PLUG	NEMA CONNECTOR
GFCI Cord Sets - Automatic Reset			
GFA15-2C	2 ft. Cord Set, Molded-On Plug and Connector, Straight Blade, 14/3 SJTW Cord	5-15P 	5-15R 
GFA15-3TC	3 ft. Cord Set, Molded-On Plug and Triple Tap Connector, Straight Blade, 14/3 SJTW Cord		
GFA15-6C	6 ft. Cord Set, Molded-On Plug and Connector, Straight Blade, 14/3 SJTW Cord		
GFA15-25C	25 ft. Cord Set, Molded-On Plug and Connector, Straight Blade, 14/3 SJTW Cord		
GFA15-37E	37 ft. Cord Set, Molded-On Plug and No Connector , Straight Blade, 14/3 SJTW Cord	5-15P 	—
GFA15-100	100 ft. Cord Set, Molded-On Plug and Connector, Straight Blade, 14/3 SJTW Cord	5-15P 	5-15R 
GFA20-3C	3 ft. Cord Set, Molded-On Plug and Connector, Straight Blade, 12/3 SJTW Cord	5-20P 	5-20R 
GFA20-3LC	3 ft. Cord Set, Black & White® Locking Plug and Locking Connector, 12/3 SJTW Cord	L5-20P 	L5-20R 
GFA20-37E	37 ft. Cord Set, Molded-On Plug and No Connector , Straight Blade, 12/3 SJTW Cord	5-20P 	—
GFCI Cord Sets - Manual Resets			
GFM15-3C	3 ft. Heavy Duty Cord Set, Black & White® Plug and Connector, Straight Blade, 12/3 SJTW Cord	5-15P 	5-15R 
GFM15-3TC	3 ft. Heavy Duty Cord Set, Black & White® Plug and Triple Tap Connector, Straight Blade, 12/3 SJTW Cord		
GFM15-3WC	3 ft. Heavy Duty Cord Set, Wetguard® Plug and Connector, Straight Blade, 12/3 SJTW Cord		
GFM15-25C	25 ft. Cord Set, Black & White® Plug and Connector, 14/3 SJTW Cord	5-20P 	5-20R 
GFM20-3C	3 ft. Cord Set, Black & White® Plug and Connector, Straight Blade, 12/3 SJTW Cord		
GFM20-3WC	3 ft. Cord Set, Wetguard® Plug and Connector, Straight Blade, 12/3 SJTW Cord		
ELCI Cord Set - Automatic Reset			
EFA15-3E	44 in. Cord Set, Molded-on Plug and No Connector , Straight Blade, 14/3 SJTW Cord	5-15P 	—
User-Attachable Devices - Automatic Reset			
16693*	Right-Angle GFCI Plug, Grounded	5-15P 	—
16693-1*	Right-Angle GFCI Plug, Grounded, BULK		
16793*	Right-Angle GFCI Plug, Grounded	5-20P 	—
16793-1*	Right-Angle GFCI Plug, Grounded, BULK		
GCA20*	In-Line GFCI Plug, Grounded	—	—
User-Attachable Devices - Manual Reset			
16694*	Right-Angle GFCI Plug, Grounded	5-15P 	—
16694-1*	Right-Angle GFCI Plug, Grounded, BULK		
16794*	Right-Angle GFCI Plug, Grounded	5-20P 	—
16794-1*	Right-Angle GFCI Plug, Grounded, BULK		
GCM20*	In-Line GFCI Plug, Grounded	—	—

* See instruction sheet for precise cord type/wire gauge applications.

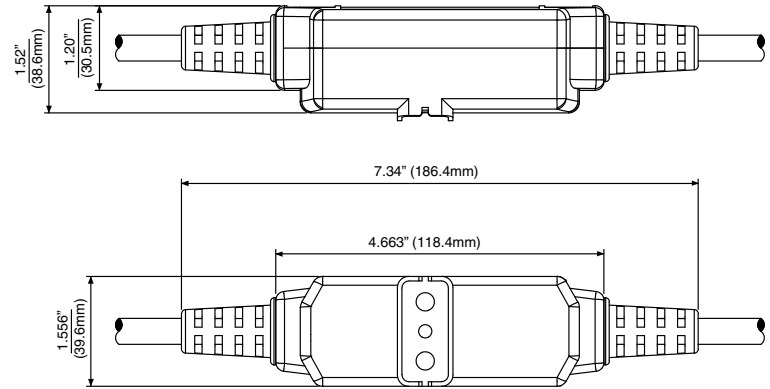
** Please inquire with your local sales representative.

Specifications

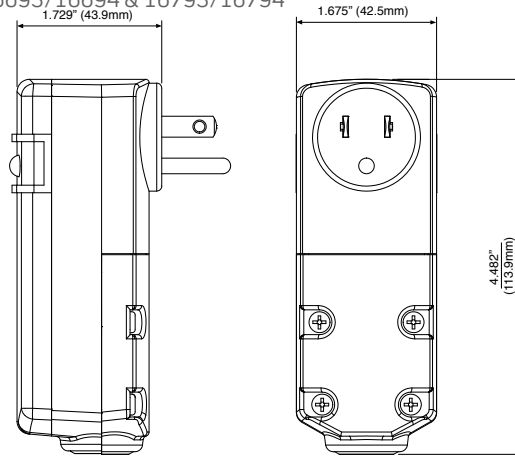
AC Horsepower Rating		
At Rated Voltage	¼ Horsepower	
Electrical Specifications		
Amperage	15 A or 20 A as specified	
Voltage	120 VAC	
Short Circuit Current Rating (SCCR)	2 kA	
Trip Level	5 +/- 1 mA	
Environmental Specifications		
Flammability	Rated V-2 per UL 94	
Operating Temperature	-35°C to 66°C	
Material Specifications		
Cord Type	Cord Sets	SJTW
	User-Attachable	Accepts SJ & ST Cord Types
Body Material	Polycarbonate	
Blades/Contacts	Brass	
Mechanical Specifications		
Terminal ID (User-Attachable Devices Only)	Brass- Hot, Green- Ground, Silver- Neutral	
Product ID	Ratings marked on device	
Standards & Certifications		
NEMA	WD-6	
ANSI	C73	
UL Standard	943 Class A & 498	
CSA	C22.2 No 42 & No 144	
NOM	057	
Warranties		
Warranty	2 Year Limited	

Dimensions

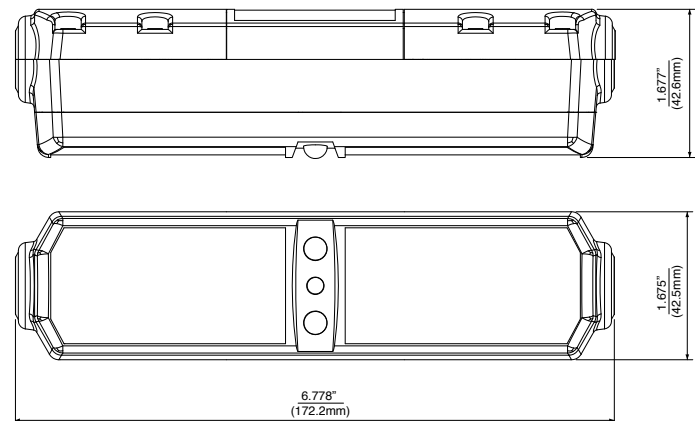
Cat Nos GFA15/GFM15 & GFA20/GFM20



Cat Nos 16693/16694 & 16793/16794



Cat Nos GCA20/GCM20



Visit our Website at:
www.leviton.com/commercial
 email: commercial@leviton.com

Q-315D

111519

Leviton Manufacturing Co., Inc.
 201 N Service Rd, Melville, NY 11747
 Telephone: 1-800-323-8920 • FAX: 1-800-832-9538
 Tech Line (8:30AM-7:30PM E.S.T. Monday-Friday): 1-800-824-3005

© 2019 Leviton Manufacturing Co., Inc. All rights reserved.

