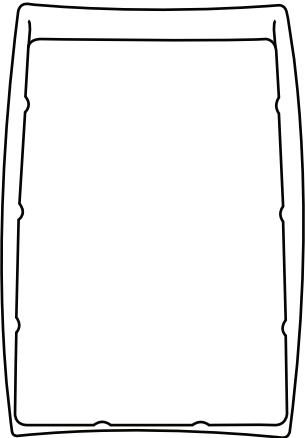
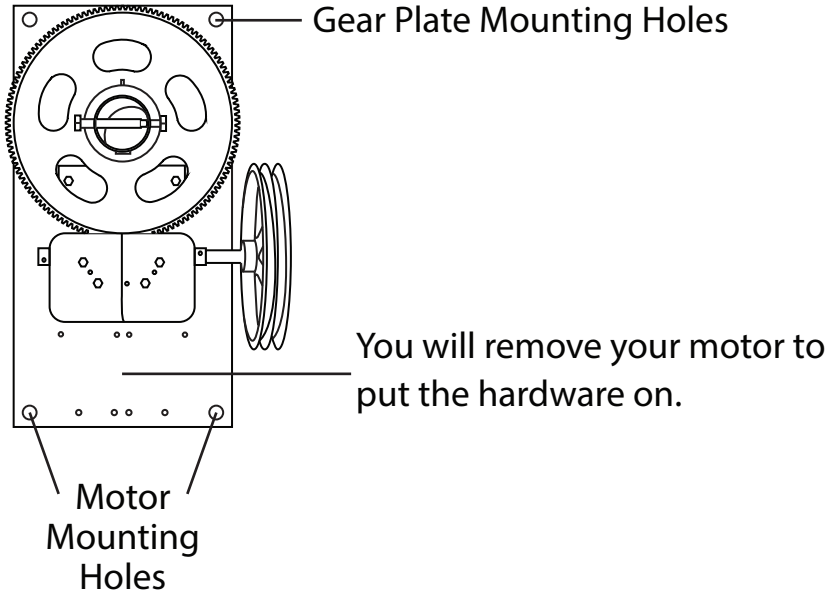


Flat Plate Hoist Cover Mounting Instructions

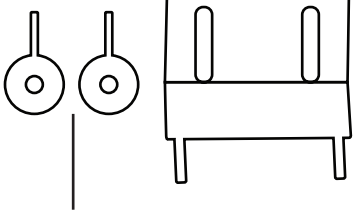
Front Cover



Gear Plate Assembly



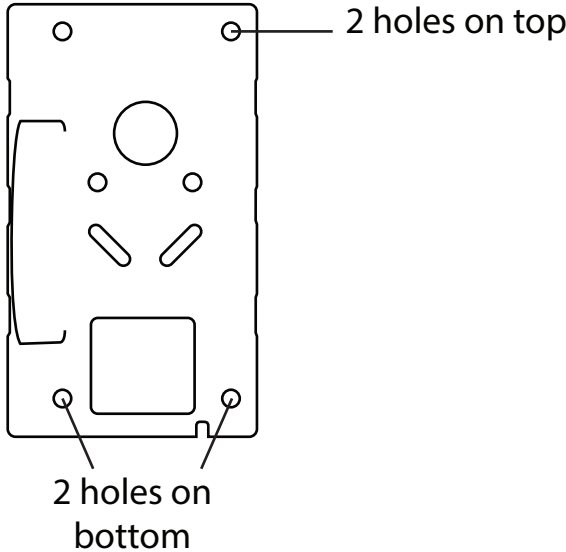
Hardware



Mounts at base of gear plate

Goes on gear plate mounting holes

Back Cover



The "spikes" on the hardware should be facing outward and the cover goes over example

