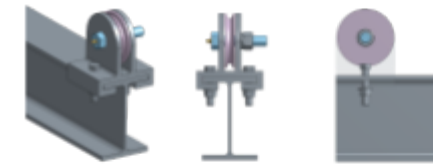
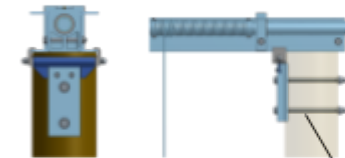


# BH-USA® Aluminum Pile Mount Lift Specifications

Capacity	6K	8K	9K	12K	16K	20K	24K	30K
CS Channel Length "A"	12'-6"				12'-6"/15'	15'	6'	
CS Channel Section	5" x 2.21 PPF		6" x 2.83 PPF		7" x 4.72 PPF			
Cable Dia	5/16						3/8	
Cable Length	15'			33'				
Cable Configuration	1 part			2 part				
Cradle Beam Section	6" x 4.69 PPF		8" x 6.18 PPF		10" x 8.65 PPF			
Cradle Beam Length	12'-6"				14'/16'	16'	18'	
Drive HP	3/4	1		3/4 or 1	1	1 1/2		
No. of Drives	2						4	
Minimum Piling Dia.	8"		10"					
No. of Pilings Req'd.	4				6		8	

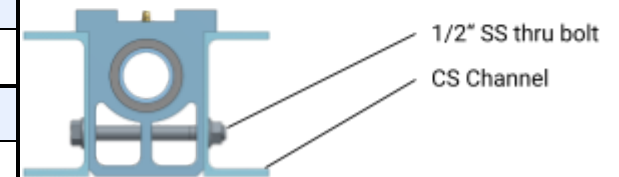


**Cradle End Detail**



**Pile Mounting Detail**

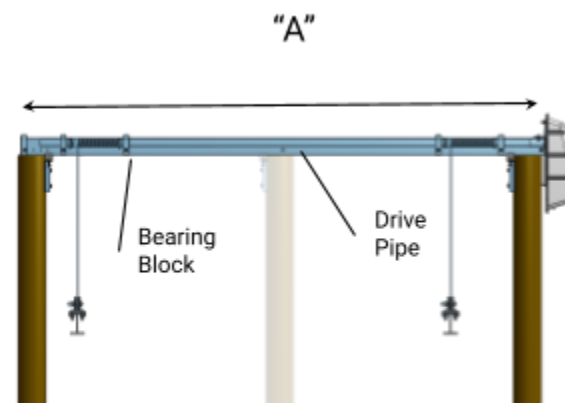
Pile mount bracket  
1/2" thru bolts



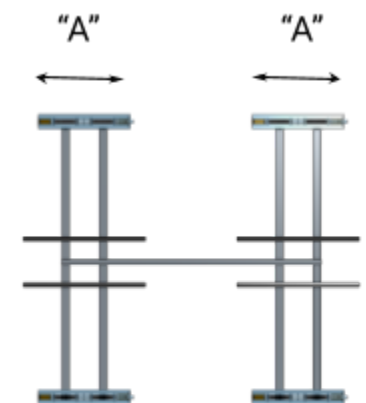
**Bearing Block Detail**

1/2" SS thru bolt  
CS Channel

Bearing Blocks:	Bronze bushings with grease zerks
Drive Pipe:	1-1/2" SCH 40 galvanized steel (1.9" OD x 1.5" ID)
Fasteners:	1/2"-13 SS
Structure:	Alum. Assoc. 6061-T6 CS Channel and I beam
Wire Rope:	SS 7 x 19 constr.
Sheaves:	4" Machined 6061-T6 aluminum with press-fit bronze bushing



*Ctr pile for 16K-24K lifts only*

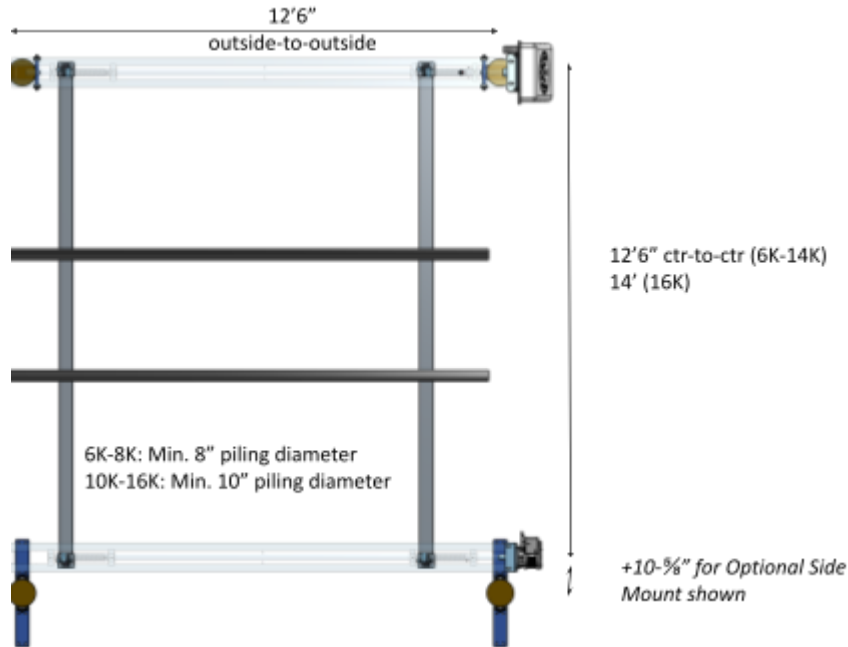


**Plan view for 30K Lift only**

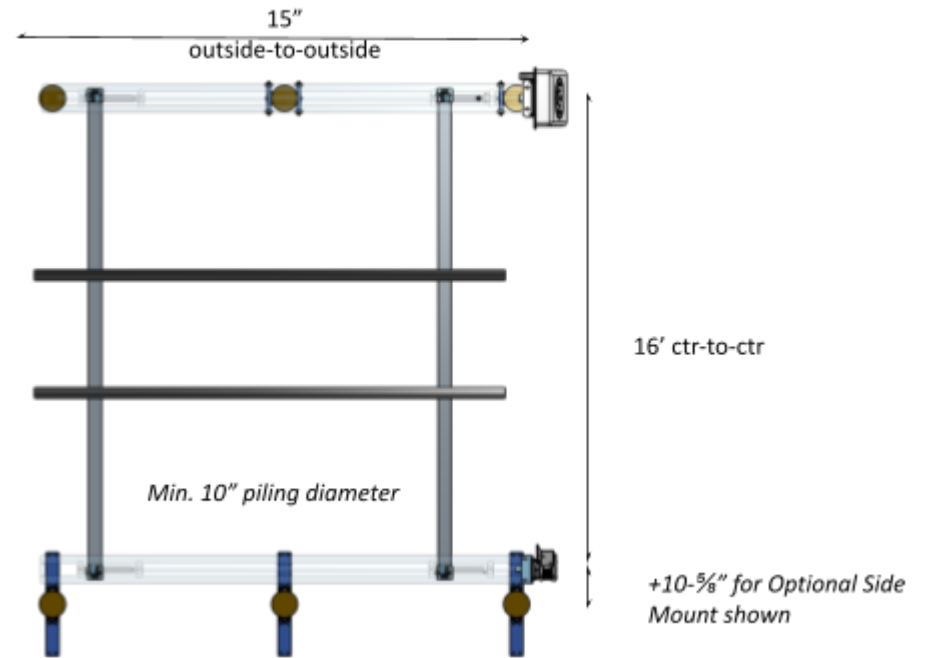


# Coastal Series® by BH-USA™

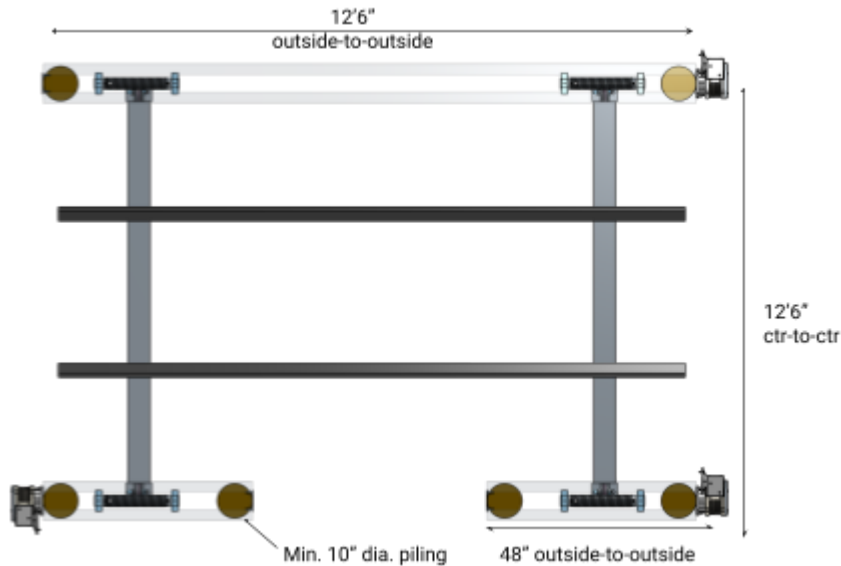
Pile mount spacing for all aluminum 4 post boat lifts.



Pile mount spacing for all aluminum 6 post boat lifts.



Pile mount spacing for all Rockport 6 post side-entry boat lifts.



Pile mount spacing for all aluminum 8 post boat lifts.

